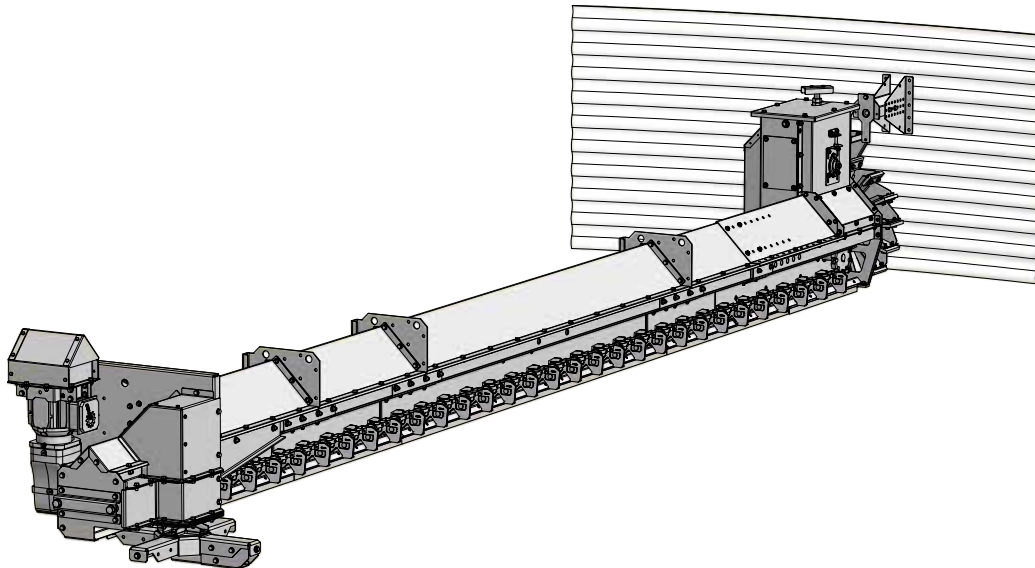




**SKANDIA
ELEVATOR**



Our machines are designed for outdoor use. We only use galvanised steel plate, and join the parts by means of clamp riveting and bolting in order to keep the surface layer intact. Edges are bent down, joints and seams overlap and many parts are embossed in order to prevent water penetration. The most exposed joints are also sealed with rubber strips or silicone. The products in the I-LINE are designed for plants with continuous operation all year round.



KTIS

The KTIS sweep conveyor transports material out from a silo and to a bottom conveyor. It can be operated without being exposed and it is equipped with a broom, which means that just a small amount of grain is left behind in the silo.

STANDARD EQUIPMENT:

- > Angle gear motor
- > Centre outlet cross
- > Permanently lubricated bearings
- > Chain tensioner in drive unit
- > Chain of steel & flight of plastic
- > Rotation switch
- > Support wheel for conveyors that are 8 m or longer

ACCESSORIES:

- > Centre outlet hopper
- > Intermediate outlet hopper
- > Slip ring with rotation switch
- > Telescopic connection duct



The broom under the machine leaves behind just a small amount of grain.

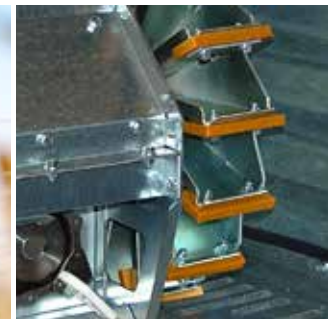


Plug-free with slip ring as accessory.

GALVANISED
ENERGY EFFICIENT
SERVICE FRIENDLY
COMPACT
RELIABLE
EASILY MOUNTED

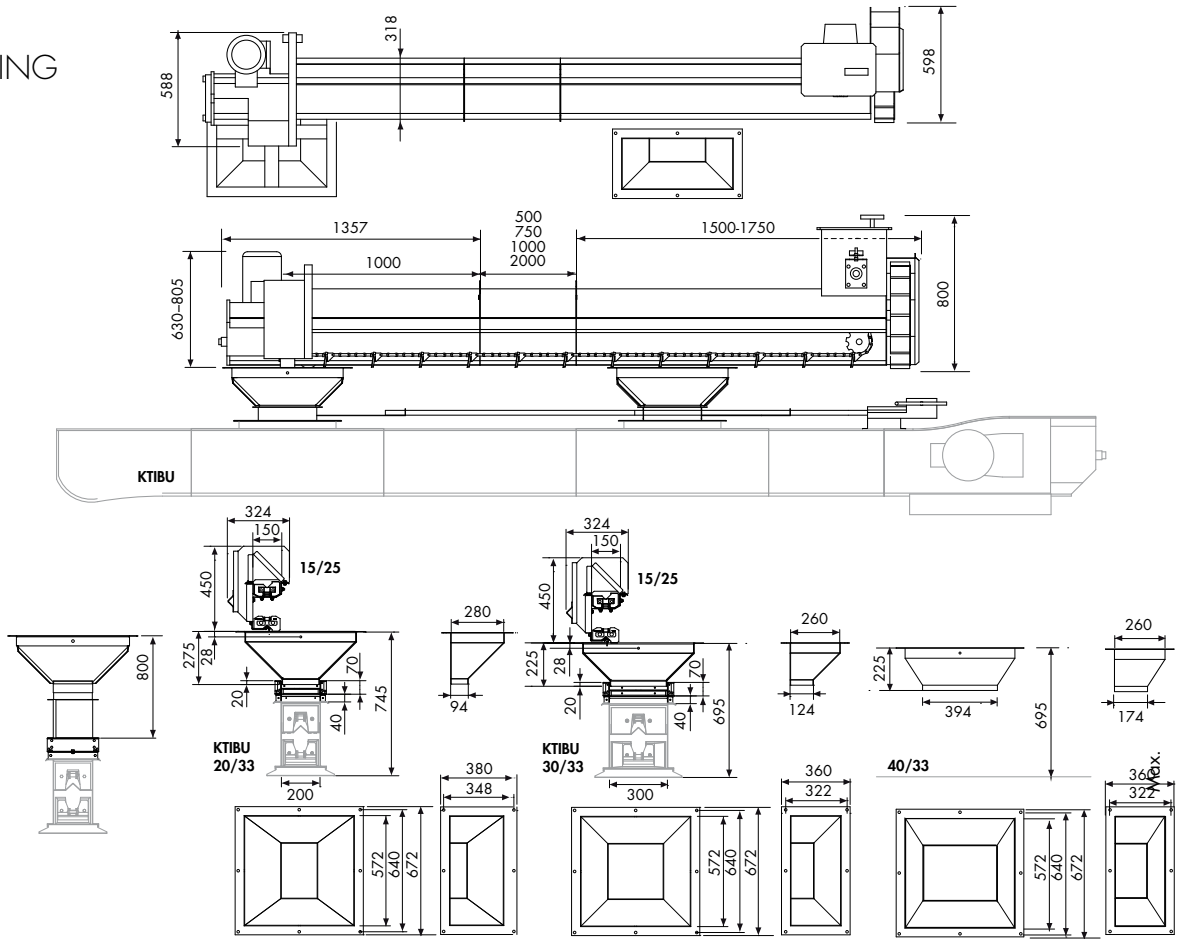


**THE
LEADING
COMPANY**



Methodical and reliable forward driving.

KTIS DIMENSIONAL DRAWING



Dimensions in the cross-section apply to the KTIS in combination with KTIBU. All drawings are available in CAD format.

KTIS SWEEP CONVEYOR		15/25 40 t/h	15/25 60 t/h
Capacity for 750 kg/m ³	t/h	39	55
Capacity	m ³ /h	52	73
Speed	rpm	101	154
Chain speed	m/s	0,64	0,96
Conveyor chain, type		S45V	
Pitch/ultimate tensile strength		41,5 mm/33kN	
Number of flights per metre of chain	pcs	4	6
Flight, material		Plastic	
Chain sprocket, teeth	pcs	9	
Transport space, width/height	mm	150/165	
Plate thickness, transport channel/return channel	mm	3,0/2,0	
Plate thickness, outlet hoppers	mm	3	
ATEX class (standard equipment)		II OD/OD *	

* Higher class as option at extra cost.

